

Contents

1	General	2
1.1	Use of the manual	2
1.2	Service and technical support	2
<hr/>		
2	Safety	3
2.1	EnergyPak	3
2.2	Charger	3
2.3	Luggage carrier	3
<hr/>		
3	Range	4
3.1	Range conditions	4
3.2	Other data	4
<hr/>		
4	Overview	5
4.1	Overview components	5
4.2	Keys	5
<hr/>		
5	RideControl adjustments	6
5.1	Take away the RideControl	6
5.2	Place back the RideControl	6
5.3	Panel adjustment	6
<hr/>		
6	EnergyPak - charging	7
6.1	Overview components	7
6.2	Charging - EnergyPak outside its holder	8
6.3	Charging - EnergyPak inside its holder	10
<hr/>		
7	RideControl	12
7.1	Overview panel	12
7.2	RideControl unit settings	13
<hr/>		
8	Maintenance	17
<hr/>		
9	Troubleshooting	17
<hr/>		
10	Guarantee conditions	18

1 General

Welcome and congratulations

On your purchase of a new Giant Twist, the fun of pedaling is only moments away.

Ride Life, Ride Giant

Nothing makes us happier than seeing people out riding bikes. For over thirty years Giant has manufactured quality bikes for every type of terrain and rider imaginable. Giant bicycles have allowed millions of cyclists just like you the opportunity to live happier healthier lives because of the joy, exercise and sheer exhilaration that riding a bicycle brings. And it is this commitment to sharing the joy of the ride that inspires us to continually offer the world's most innovative bicycles.

1.1 Use of the manual

Read this manual carefully before you start riding on your new Giant Twist. By doing so you will have a better understanding for the general operation of the various bike parts. You will learn many of the components you once recognized as part of a Twist bike have changed significantly. Safe riding instructions are equally important and should not be overlooked. Instructions about how to ride safely are as important as always and must not be overseen. So, take a moment to read this manual before you start riding.



This manual is not intended to be an extensive reference book about service, repair and maintenance. Consult for that your dealer.

1.2 Service and technical support



Approval and conformity

This Twist bike fulfills the requirements of the EC directive 89/336/EEC (Electro Magnetic Compatibly).

This Twist bike conforms:

- City/Trekking bicycles: EN 14764
 - Electric bicycles: EN 15194
-

2 Safety

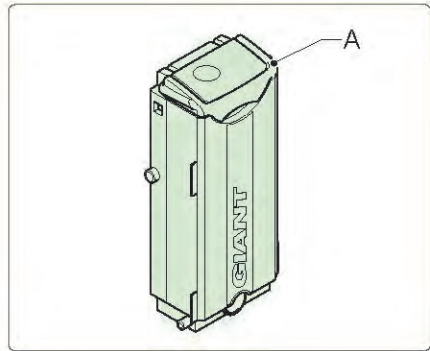
2.1 EnergyPak

- Keep the EnergyPak away from water and open fire;
- Do not use the EnergyPak for other purposes;
- Do not connect positive and negative terminals;
- Keep the EnergyPak away from children and pets;
- Watch the specified voltage.

The grip (A) also serves as a plug cover.



Also take notice of the information at the backside of the EnergyPak.

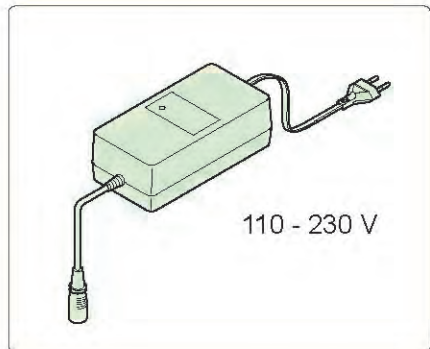


2.2 Charger

- Keep the charger away from water;
- Do not use the charger for other purposes;
- Do not subject the charger to shocks (e.g. by dropping);
- Do not cover the charger or place objects on it;
- Avoid contact during the charge. The charger heats up.

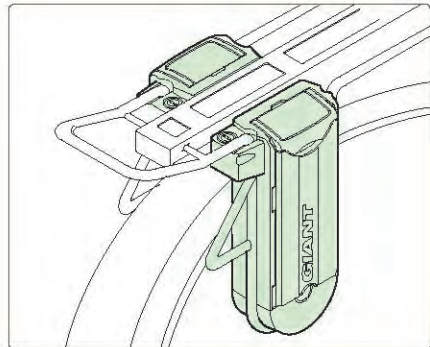


Also take notice of the information at the backside of the charger.



2.3 Luggage carrier

See to it that while transporting luggage, the EnergyPak holders cannot get damaged.



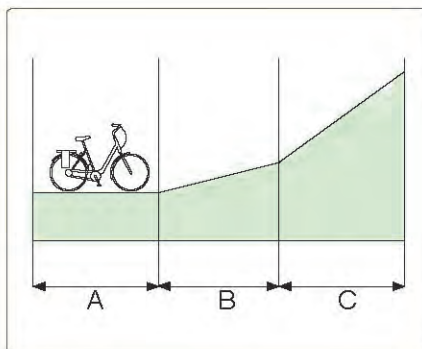
3 Range

3.1 Range conditions

The running distance on one charge varies depending on several circumstances, such as:

- Outdoor temperatures;
- Wind resistance;
- Tire pressure;
- Hilly and rough surface;
- Rider weight and luggage;
- Acceleration;
- Poor maintenance;
- The number of charges/discharges. The more charges/discharges, the less capacity it will have.

The table below gives an approximate range, based on different road patterns.



Twist models with two Li-Ion batteries.

Condition	Eco [km]	Normal [km]	Sport [km]
Flat road (A)	110-140	85-120	70-85
Sloping road (B)	95-110	70-95	50-70
Steep road (C)	75-95	50-75	35-50

- Do not ride with under inflated tires and keep the chain clean and well lubricated.

3.2 Other data

EnergyPak life span

If used and maintained properly: approximately 600 charge cycles.

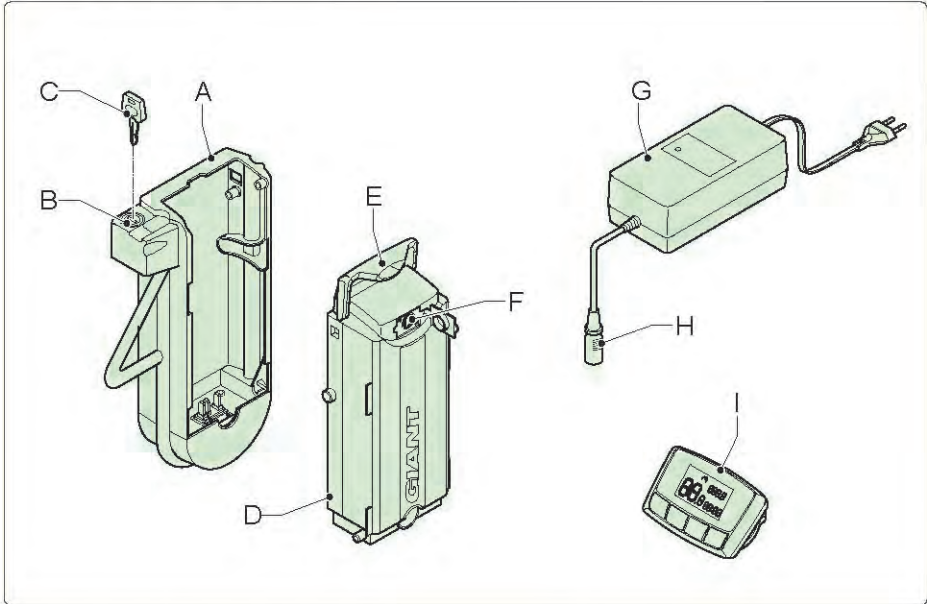
Extended storage

Charge the EnergyPak to full level, and from then on every three months.

Storage temperature: - 20 °C (- 4 °F) to 30 °C (86 °F).

4 Overview

4.1 Overview components



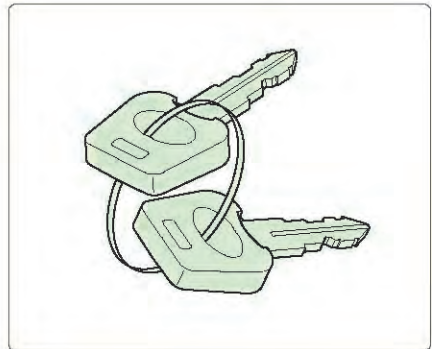
A EnergyPak holder
B EnergyPak lock
C Key

D EnergyPak
E Grip cover charging socket
F Charging socket

G Charger
H Charger plug
I RideControl

4.2 Keys

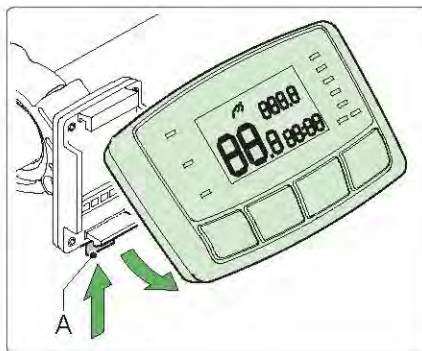
The bike comes standard with two lock keys. Keep the spare key in a safe place for emergencies. A qualified locksmith may duplicate the keys. Record the key number for future reference and replacement. If the keys are ever lost or stolen, contact an authorized Giant-dealer for replacement.



5 RideControl adjustments

5.1 Take away the RideControl

- Push the release button (A) to release the RideControl.

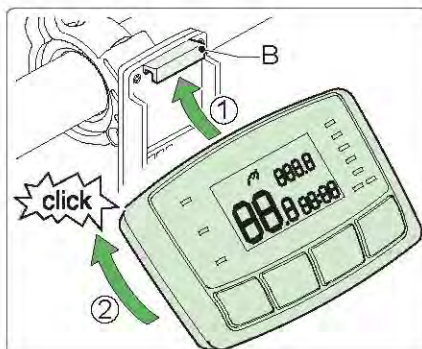


5.2 Place back the RideControl

1. Place the RideControl into the holder (B)
2. Push the RideControl in the holder

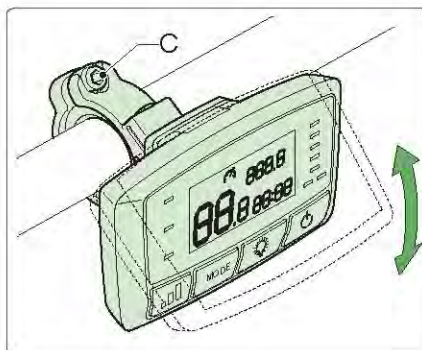


Make sure that contact surface of RideControl and bracket are dry before mounting the RideControl.



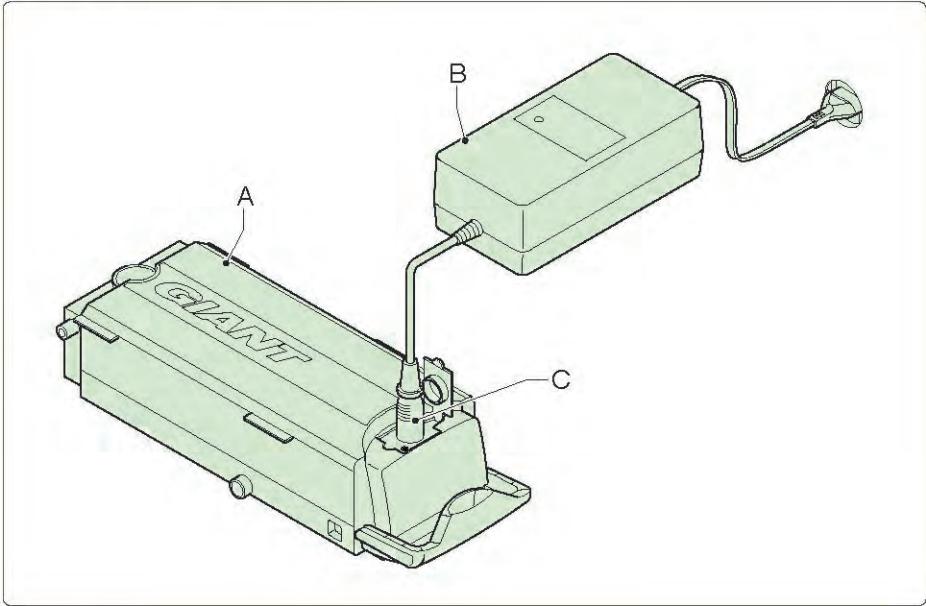
5.3 Panel adjustment

- Unscrew the bolt (C) a few turns.
- Adjust the panel.
- Tighten the bolt.



6 EnergyPak - charging

6.1 Overview components



- A EnergyPak
- B Charger
- C Charging socket



The EnergyPak must be fully charged before the first ride or if the bike has not been ridden for over a month.

- Charge the EnergyPak in a room with a temperature between 0 °C (32 °F) and 40 °C (104 °F).
- Discharge the EnergyPak completely (by riding the bicycle) after 15 normal charges or at least every three months totally before charging the EnergyPak again. It leads to an increase of the life span.

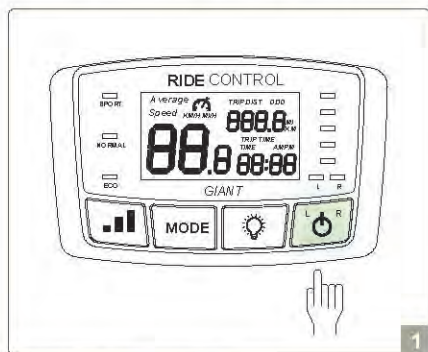


- Stop the charging procedure immediately if you notice a strange smell or smoke. Take the EnergyPak to an authorized dealer for service or replacement.
- Do not recharge the EnergyPak for over 24 hours.

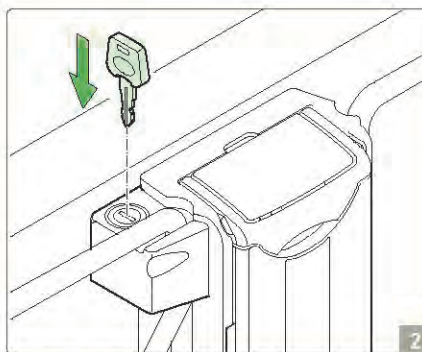
The charge of the EnergyPak can be done in two ways:

- With the EnergyPak outside its holder (see 6.2).
- With the EnergyPak inside its holder (see 6.3).

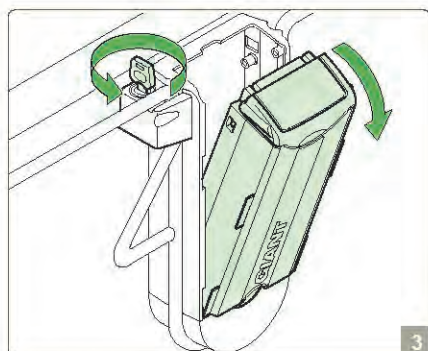
6.2 Charging - EnergyPak outside its holder



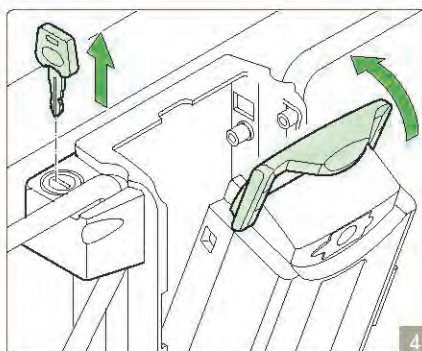
1 Switch off the EnergyPak.



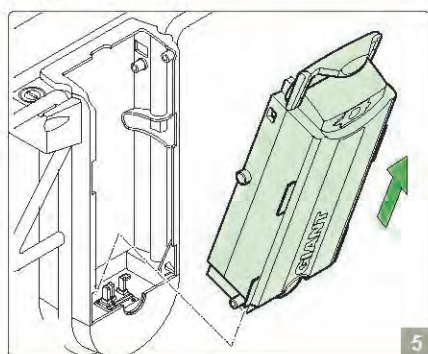
2 Put in the key.



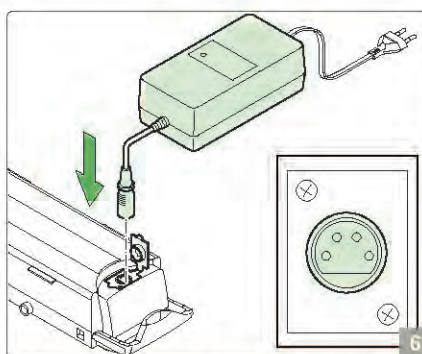
3 Unlock the EnergyPak holder and push the EnergyPak outward.



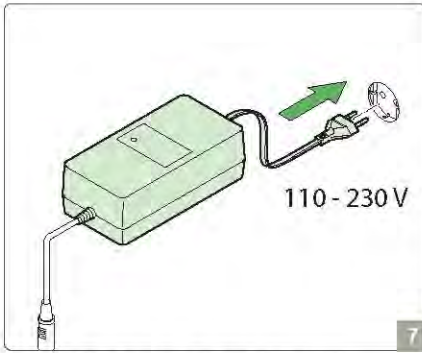
4 Pull out the key and fold out the grip.



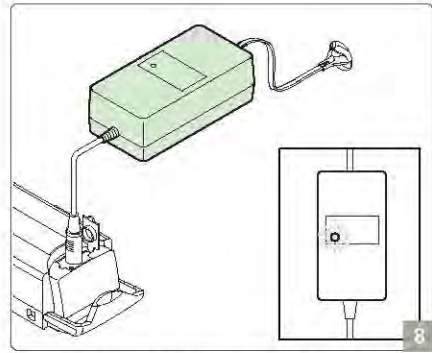
5 Lift out the EnergyPak.



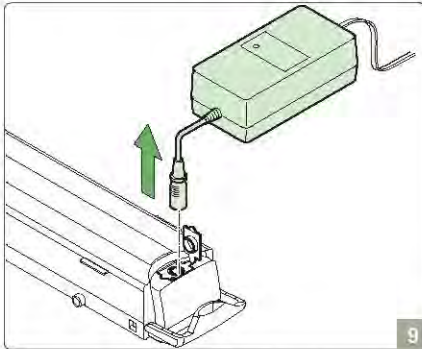
6 Connect the charger to the EnergyPak.



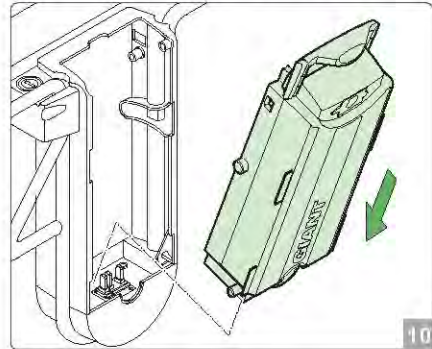
Connect the charger to an AC outlet.



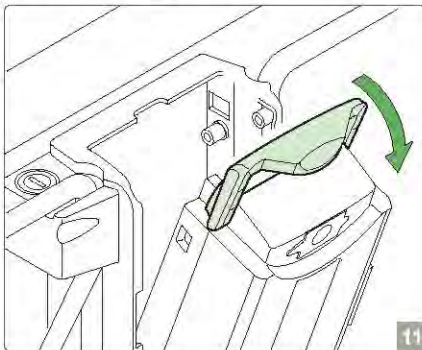
During charging the LED will be ON, when charging is finished the LED will be OFF.



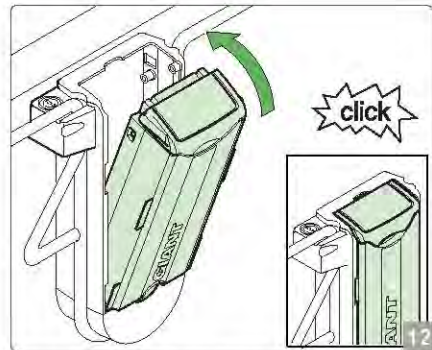
Disconnect the charger first from the outlet and then from the EnergyPak.



Place back the EnergyPak.

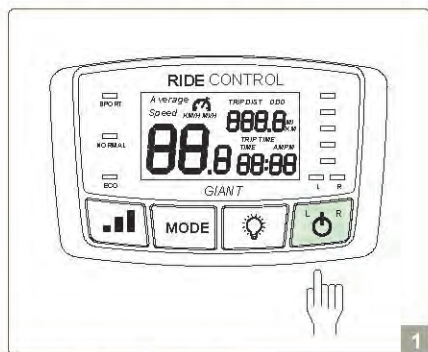


Fold in the grip.

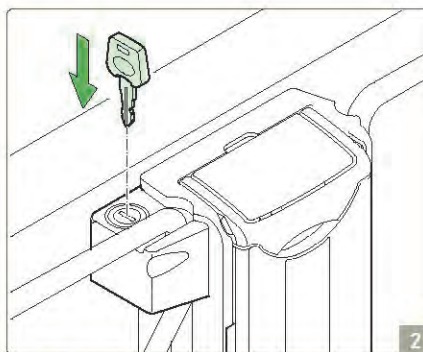


Push back the EnergyPak.

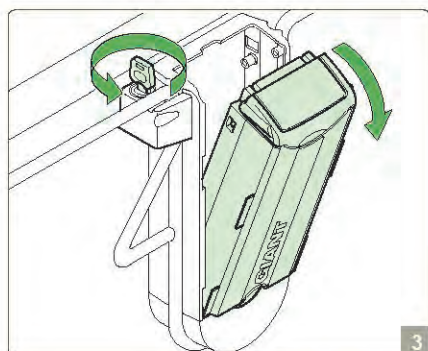
6.3 Charging - EnergyPak inside its holder



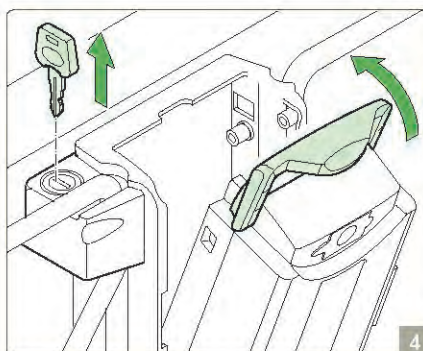
Switch off the EnergyPak.



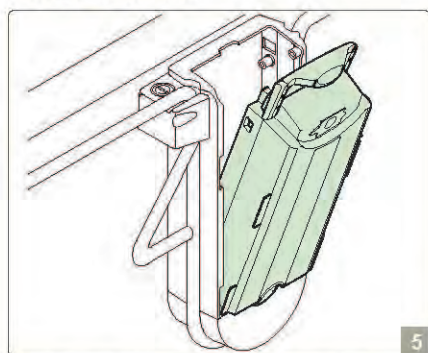
Put in the key.



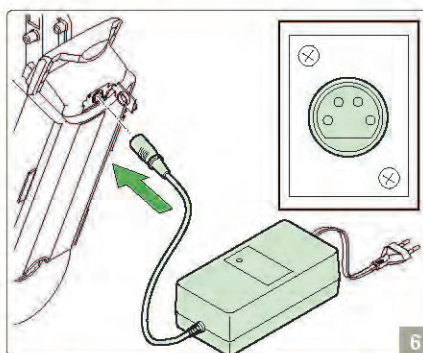
Unlock the EnergyPak holder and push the EnergyPak outward.



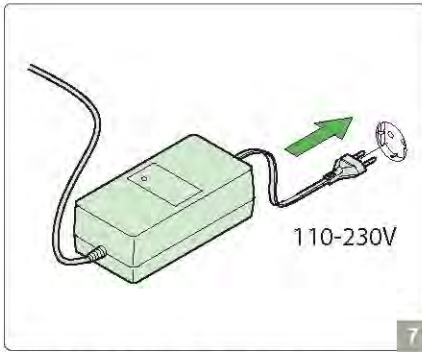
Pull out the key and fold out the grip.



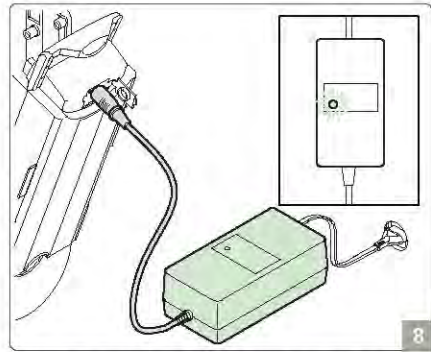
This is the right position to charge the EnergyPak.



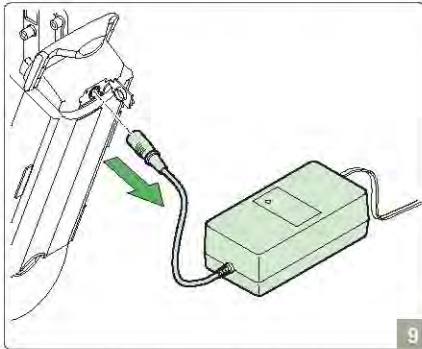
Connect the charger to the EnergyPak.



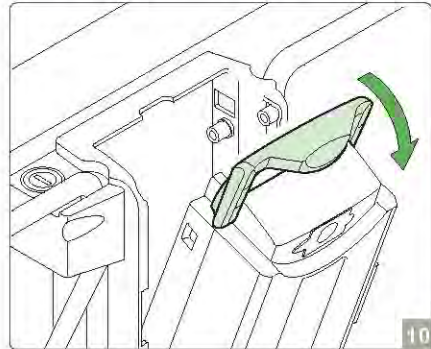
Connect the charger to an AC outlet.



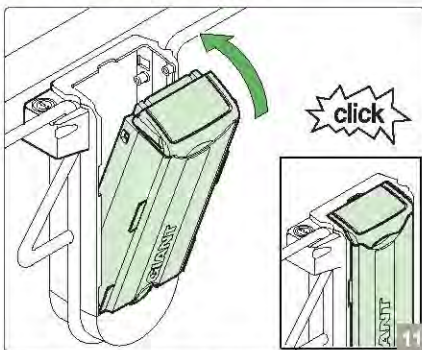
During charging the LED will be ON, when charging is finished the LED will be OFF.



Disconnect the charger first from the outlet and then from the EnergyPak.



Fold in the grip.



Push back the EnergyPak.

7 RideControl

7.1 Overview panel



A On/Off/EnergyPak selector.

B Lighting

C Mode

D Power assist set button

E Power assist indication

F Speed

G Average speed

H Trip distance

I ODO (Total distance)

J Trip time

K Time

L EnergyPak charge indicator

M EnergyPak select indicator (left or right)

7.2 RideControl unit settings

ON/OFF button

Press the ON/OFF button (A)

- to switch on the system;
- more than 2.5 seconds to switch off the system;
- less than 2.5 seconds for a EnergyPak switch over (applies for bikes with two EnergyPaks.);



When the system is switched on, the display shows its initial settings without backlight.



Release pedal pressure while switching between EnergyPaks.



Lighting

Press button (B) to switch on (off) the lights. The LCD backlight will automatically switch on.



The EnergyPak supplies power to the lights. The lights will remain on when the bicycle is standing still.



Sign settings

1. Press button (C) less than 2.5 seconds. The signs F until K start to blink in sequence.
2. To set an indicated sign:
 - Press and hold button (C) more than 2.5 seconds while that sign is blinking;
 - Repeat this step.



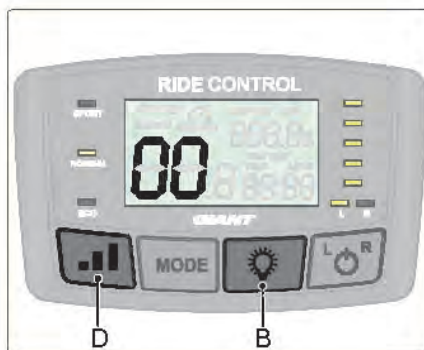
The possibility to set signs expires if there is no action during more than 3.5 second



Operation settings

• Time setting

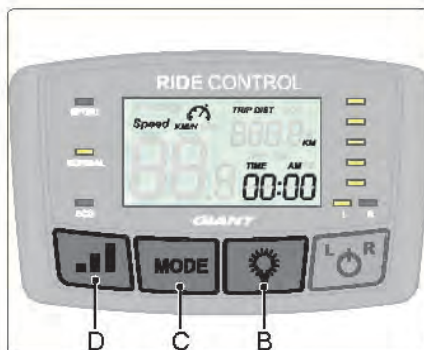
1. Press and hold the buttons (B) and (D) simultaneously until '00' blinks.



2. Press button (C) less than 2.5 seconds to enter the hour-setting mode.
3. Press button (B) to set the hour-indication to 12:H or 24:H.
4. Press button (C) less than 2.5 seconds to set the hour-format. The hour-digits blink.



5. Press button (B) to lower the hour-digits and press button (D) to add the value.
6. Press button (C): 'hour' is set. The minute-digits blink.
7. Press button (B) to lower the minute-digits and press (D) to add the value.
8. Press button (C): 'minute' is set.



- **Unit setting for distance and speed**

1. Press button (B) to change the distance/speed unit to km and km/h or to Mi and Mi/h.
2. Press button (C): the distance/speed unit is set. Pressing this button also gives access to the reset mode.



- **Reset the system**

1. Press button (B) to switch the reset mode to:
 - '0': Resetting needs to be done manually (see next chapter "reset to zero").
 - '1': The values of trip distance, trip time and average speed will be reset to zero when clock reaches 00.00 (midnight).
2. Press button (C): the reset mode is set. Pressing this button is also finishing the operation settings.



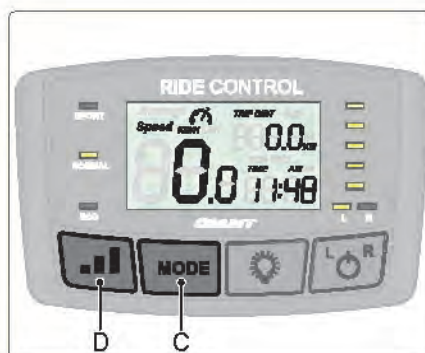
Reset to zero

1. Press and hold the buttons (B) and (D) simultaneously until '00' blinks.



2. Press button (D) less than 2.5 seconds to enter the reset mode.

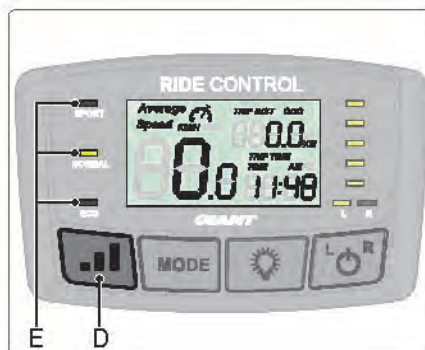
- Press button (C) twice for less than 2.5 seconds to reset the values of trip distance, trip time and average speed to zero.
- Press button (D) twice for less than 2.5 seconds; the system will be reset to the initial factory setting.



Power assist setting

Press button (D) to choose the Power assist level (E).

- ECO : Low power assist. Gives the maximum range.
- NORMAL : Normal power assist.
- SPORT : High power assist. Gives the smallest range.



8 Maintenance

Giant Hybrid uses plastic shells to cover the electrical parts, so it is forbidden to use excessive water to wash the plastic.

Use a soft cloth with a neutral solution to wipe the dirt off the plastic shells. After that, wipe it dry with a clean soft cloth.



Do not wash these plastic components with water. When the internal electrical parts are detected with water, the insulator may corrode which leads to power-leakage or other problems.



Do not use other soap solutions to wash these plastic components. Non-neutral solutions may cause color-change, distortion, scratch etc.



Do not use high-pressure water or air hoses for cleaning. It can force water into electrical components, which may cause malfunctioning.

Avoid leaving the bike outdoors

When not riding, keep the bike in a location where it will be protected from snow, rain, sun etc. Snow and rain can cause the bike to corrode. The ultraviolet from the sun can fade the paint or crack any rubber or plastic on the bike.

9 Troubleshooting

LED status	Cause	Solution
L1 blinks	The EnergyPak is completely empty	Charge the EnergyPak.
L2 blinks	Pedal plus sensor malfunction	Reset the power. Contact an authorized dealer if the malfunction persists.
L3 blinks	Overheated 1 st drive unit	Allow the bike to cool down for ten minutes.
L4 blinks	Synchdrive malfunction	Contact an authorized dealer.

- The power assist is not available when an indicator (L) blinks.
- If the LED is not on during use, check the EnergyPak charge level and/or the fitting of the EnergyPak. In event of an error the power assist is inactive.



10 Guarantee conditions

Article 1 Guarantee

- 1.1 Giant guarantees that every new Giant bicycle is free of constructional defects, defective materials and rustiness, for as far as the conditions as set out in this Giant Guarantee Programme is being met.
- 1.2 Only the first owner of a new Giant bicycle can eventually lay a claim to the guarantee, in the event and for as far as this first owner has obtained the new Giant bicycle from a dealer that has been approved by Giant.
- 1.3 De rights that come forth from the Giant Guarantee Programme are in no event and not in any possible way transferable.
- 1.4 Without prejudice to what has been settled in the Giant Guarantee Programme, the regulations of directive 99/44/EU of the European Parliament and of the Council of the European Union on certain aspects of the sale of consumer goods and associated guarantees (official journal L 171) and respectively the correspondent national legislature of the country in which the Giant bicycle has been bought are valid..

Article 2 Specifications and terms

- 2.1 A guarantee for the period of 10 years is applicable for regular Giant frames and regular Giant forks.
- 2.2 A guarantee for the period of 5 years is applicable for Giant suspension frames.
- 2.3 A guarantee for the period of 2 years is applicable for Giant suspension forks.
- 2.4 For other Giant parts (including paint and clear coat), for as far as they have not been mentioned in article 3.1, a guarantee for the period of 2 years after date of delivery is valid. For parts of third parties the relevant guarantee conditions of that producer are valid and applicable to these parts.
- 2.5 For batteries and other electronically equipment a guarantee of 1 year after date of delivery is valid.

Article 3 Exceptions

- 3.1 The guarantee does not apply to parts that are subject to normal wear and tear, such as tyres, chains, blades, brakes, cables, and gearwheels in the circumstance that there are no assemblies- or material defects.
- 3.2 The guarantee lapses in the event:
 - a) The bike has been used for professional purposes such as bike rental;
 - b) The bike has been damaged as a result of taking part of competitions, jumping, downhill, trial or as a result of exposing the bike to – or riding the bike in severe conditions or climates.
 - c) The bike has been involved in an accident.
 - d) The bike has been used in an improper manner or in another manner than usual, in view of the sort and type of the bike concerned.
 - e) The bike has not been serviced in confirmation with the directions in the service manual.
 - f) The bike has been serviced and/ or repaired by a non-Giant dealer.
 - g) The bike has been assembled with non-original parts.
 - h) The first owner has actually transferred the bike to a third person.

Article 4 Procedure

- 4.1 On delivery of the bike to the first owner, a guarantee registration card and a duplicate guarantee registration card are being issued. After delivery of the bike, the guarantee registration card is to be completed by the first owner of the bike and sent to Giant Europe B.V. Giant Europe B.V will no sooner discuss than a claim on the guarantee after receipt of a guarantee registration card.
- 4.2 The claims that come under the competence of this guarantee are to be issued with an acknowledged Giant dealer.
- 4.3 While issuing a claim with an acknowledged dealer that comes under the competence of this guarantee, a proof of purchase must be handed over. Furthermore, the first owner must also hand over the duplicate guarantee registration card to the Giant dealer.
- 4.4 On issuing the claim, the Giant dealer completes a guarantee application form that in all cases must include the following data: name and address of the owner of the bike, date of purchase, frame number of the bike, description of the part that comes under the guarantee, stamp of the Giant dealer.
- 4.5 In the event that a guarantee is acknowledged by Giant, then Giant shall take care of replacement or reimbursement of the part concerned.
- 4.6 The final decision on whether a claim on the guarantee is to be accepted and the choice between replacement or reimbursement will ultimately be taken by Giant Europe B.V.

Article 5 Liability

- 5.1 Giant excludes any and all liability for damages to (parts of) the bike that may arise from the incorrect tuning of the moving parts of the bike, the improper use and/or maintenance of the bike (including the untimely replacement of the parts mentioned in article 3.1).
- 5.2 In the event that Giant accepts a claim on the guarantee, then this does not in any case imply an acceptance of any liability for possible damages. If and for as far as there is some talk of suffered (consequential) damages, Giant excludes all liability for that as far as she is not legally bound to compensate these damages.
- 5.3 The guarantee offered in the Giant Guarantee Programme forms an addition to legal rights. These rights may be different in each country within the European Economic Space.