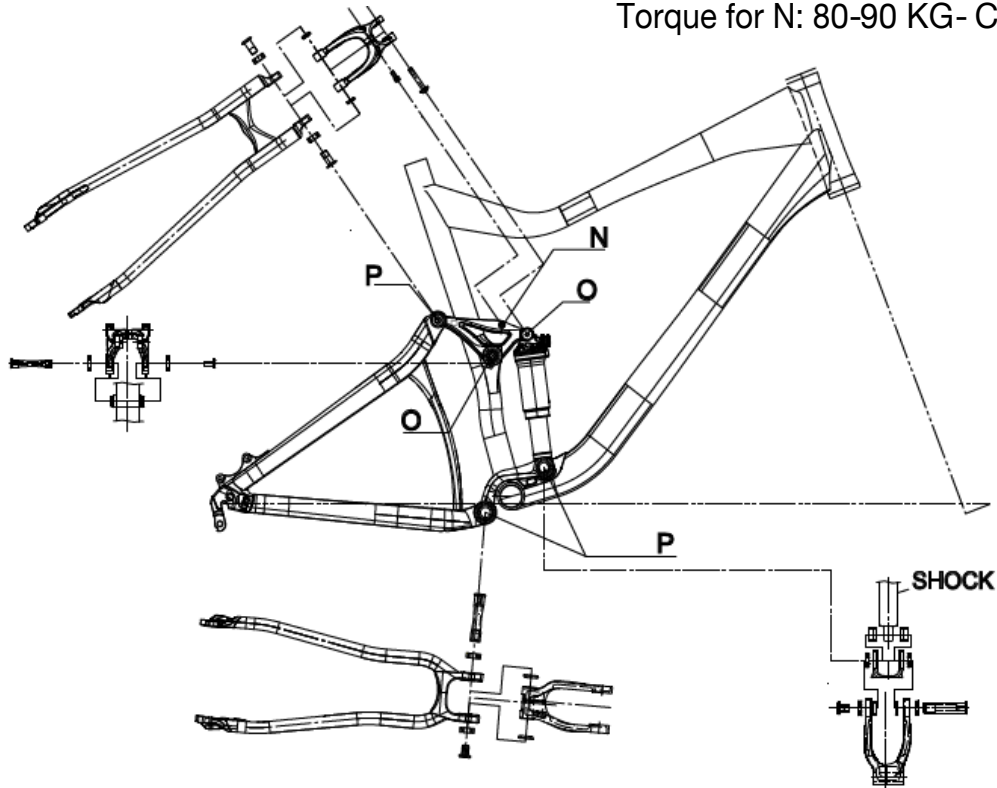


REIGN

Torque for P: 120-150 KG- CM

Torque for O: 90-110 KG- CM

Torque for N: 80-90 KG- CM



Rear Wheel Travel	6"				
Shock Travel	2"				
Shock eye to eye	7.875" (200mm)				
Seat Post Diameter	30.9mm				
Front Derailleur Diameter	34.9mm				
Rear O.L.D.	135mm				
Rear-Center (RC)*	438mm				
Size (Commercial)	XS	S	M	L	XL
Head Tube Length (mm)	120	130	145	165	190
Top Tube Horizontal Length (mm)	545	560	585	610	635
Seat Angle (degree)	73.5	73.5	73.5	73	73
Head Angle (degree)	69	69	69	69	69
B.B. drop (mm)	-12	-12	-12	-12	-12