

TWIST EXPRESS RS W

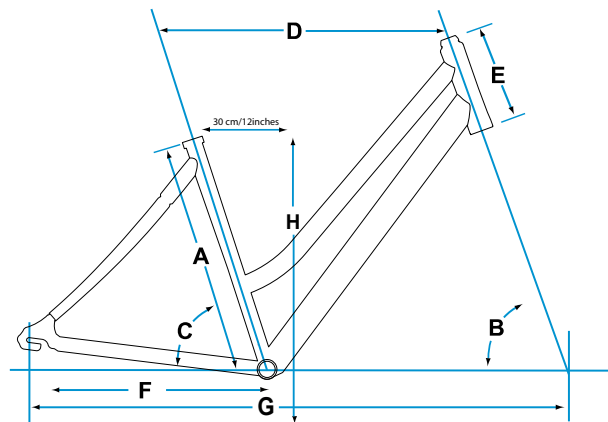


SPECIFICATIONS

FRAME	SIZES	Small, Medium
	COLOURS	Matte Black/Blue
	FRAME	ALUXX-Grade aluminum
	FORK	Rigid alloy
	SHOCK	N/A
COMPONENTS	HANDLEBAR	Alloy, high rise
	STEM	Alloy, adjustable
	SEATPOST	Suspension, 27.2mm
	SADDLE	Unity Comfort Groove +
	PEDALS	Comfort platform
	SHIFTERS	SRAM MRX Pro, twist
DRIVETRAIN	FRONT DERAILLEUR	N/A
	REAR DERAILLEUR	Shimano Altus
	BRAKES	Alloy, direct pull
	BRAKE LEVERS	Tektro Alloy
	CASSETTE	Shimano 11-28T, 7SPD
	CHAIN	KMC Z51
	CRANKSET	Alloy 3PC, 46T
	BOTTOM BRACKET	Cartridge
WHEELS	RIMS	Alloy double wall, 36h
	HUBS	[F] SyncDrive Motor [R] Alloy
	SPOKES	Stainless steel, 14g
	TIRES	Kenda w/ Slime tubes, 700x35c
	EXTRAS	Lithium Ion 36V EnergyPak w/ charger, rear alloy rack w/storage case & EnergyPak lock, fenders, kickstand, bell

FEATURES

- ALUXX-Grade aluminum frame w/ rigid alloy fork
- SRAM MRX Pro twist-shifters w/ Shimano 7-speed rear derailleur
- Single lithium-ion battery EnergyPak
- Rear alloy rack w/ storage case



FRAME GEOMETRY

	A	B	C	D	E	F	G	H
Actual Frame Size	Part Number	Head Angle	Seat Angle*	Toptube**	Headtube	Chainstay	Wheelbase	Standover Height**
		degrees	degrees	inches	inches	inches	inches	inches
Small	2109900	70.0	74.0	21.7	5.7	19.2	42.2	24.5
Med	2109901	70.0	73.0	22.1	6.5	19.2	43.0	25.0

*Seat angle is actual

**Toptube is measured from the center of the headtube horizontally back to the top of the effective extension of the seattube

***Standover height is based on the largest size tire that will fit the bike, not necessarily the included size tire

