

TCR ADVANCED SL RABOBANK*

Advanced
COMPOSITE TECHNOLOGY

COMPACT ROAD

29

ON-ROAD | PERFORMANCE | Competition

Official Partner

Rabobank Cycling Team



*AVAILABLE IN LIMITED QUANTITIES

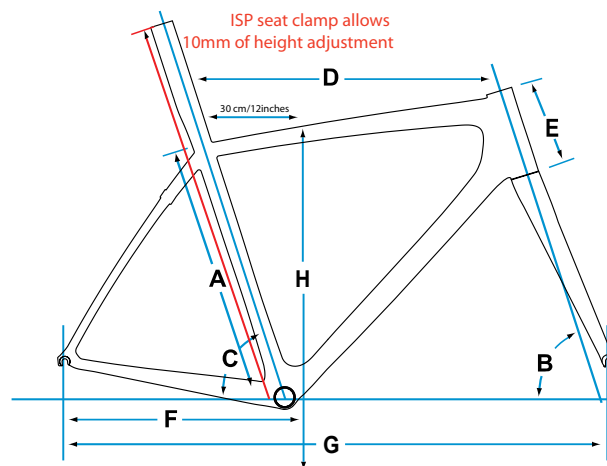
SPECIFICATIONS

FRAME	SIZES	S,M,M/L,L
	COLOURS	Rabobank Team White/Orange/Blue
	FRAME	Advanced SL-Grade composite, Integrated Seatpost (ISP)
	FORK	Advanced SL-Grade composite, full composite OverDrive steer
SHOCK	N/A	
COMPONENTS	HANDLEBAR	PRO Vibe, anatomic OS, composite, 31.8mm
	STEM	PRO PLT, composite
	SEATPOST	Advanced SL-Grade composite, Integrated Design
	SADDLE	Selle Italia SLR XP Team Edition
	PEDALS	Not Included
DRIVETRAIN	SHIFTERS	Shimano Dura-Ace
	FRONT DERAILLEUR	Shimano Dura-Ace
	REAR DERAILLEUR	Shimano Dura-Ace
	BRAKES	Shimano Dura-Ace
	BRAKE LEVERS	Shimano Dura-Ace
	CASSETTE	Shimano Dura-Ace, 11-25T, 10SPD
	CHAIN	Shimano Dura-Ace
	CRANKSET	Shimano Dura-Ace, 39/53T
BOTTOM BRACKET	Shimano Internal Press Fit	
WHEELS	RIMS	Shimano Dura-Ace, carbon tubular, 50mm
	HUBS	Shimano Dura-Ace
	SPOKES	Shimano Dura-Ace
	TIRES	Vittoria Crono Evo CS, tubular, 700x20c
	EXTRAS	2 ISP clamps: Reg 20mm & XL 45mm

Specifications and availability subject to change without notice.

FEATURES

- Complete Shimano Dura-Ace 7900-series component group
- Selle Italia SLR-XP Team Edition saddle
- PRO PLT composite stem & Vibe composite anatomic bar
- Shimano Dura-Ace 50mm carbon tubular wheelset



FRAME GEOMETRY

	A	B	C	D	E	F	G	H
Actual Frame Size	Part Number	Head Angle	Seat Angle*	Toptube**	Headtube	Chainstay	Wheelbase	Standover Height***
centimeters		degrees	degrees	centimeters	centimeters	centimeters	centimeters	inches
S 46.5	299752	72.0	73.5	53.5	13.5	40.5	97.4	29.2
M 50.0	299753	73.0	73.0	55.5	15.0	40.5	98.0	30.1
M/L 53.5	299754	73.0	72.0	57.0	17.0	40.5	98.6	31.0
L 55.5	299755	73.0	72.0	58.5	18.5	40.5	100.1	31.7

*Seat angle is actual

**Toptube is measured from the center of the headtube horizontally back to the top of the effective extension of the seattube

***Standover height is based on the largest size tire that will fit the bike, not necessarily the included size tire

