

TCR ADVANCED Ø



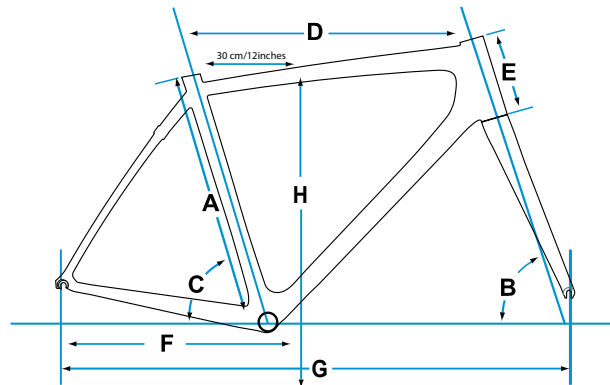
SPECIFICATIONS

FRAME	
SIZES	XS,S,M,M/L,L,XL
COLOURS	Composite/Blue/White
FRAME	Advanced-Grade composite
FORK	Advanced-Grade composite, full composite OverDrive steer
SHOCK	N/A
COMPONENTS	
HANDLEBAR	Giant Contact SL/R, composite, 31.8mm
STEM	Giant Contact SL/R, composite
SEATPOST	Giant Vector Advanced
SADDLE	Fi'zi:k Arione CX w/ k:i:um rails
PEDALS	Not Included
DRIVETRAIN	
SHIFTERS	Shimano Dura-Ace
FRONT DERAILLEUR	Shimano Dura-Ace
REAR DERAILLEUR	Shimano Dura-Ace
BRAKES	Shimano Dura-Ace
BRAKE LEVERS	Shimano Dura-Ace
CASSETTE	Shimano Dura-Ace, 11-25T, 10SPD
CHAIN	Shimano Dura-Ace
CRANKSET	Shimano Dura-Ace, 39/53T
BOTTOM BRACKET	Shimano Internal Press Fit
WHEELS	
RIMS	Shimano Dura-Ace, carbon clincher, tubeless-compatible, 24mm
HUBS	Shimano Dura-Ace
SPOKES	Shimano Dura-Ace
TIRES	Michelin Pro3 Race, 700x23c

Specifications and availability subject to change without notice.

KEY UPGRADES (FROM TCR ADVANCED 2)

- Complete Shimano Dura-Ace 7900-series component group
- Giant Contact SLR composite bar and stem
- Shimano Dura-Ace 24mm carbon-clincher, tubeless-compatible wheelset



FRAME GEOMETRY

	A	B	C	D	E	F	G	H
Actual Frame Size	Part Number	Head Angle	Seat Angle*	Toptube**	Headtube	Chainstay	Wheelbase	Standover Height***
centimeters		degrees	degrees	centimeters	centimeters	centimeters	centimeters	inches
XS 43.0	2109800	71.0	74.5	52.0	12.0	40.5	97.7	28.5
S 46.5	2109801	72.0	73.5	53.5	13.5	40.5	97.4	29.2
M 50.0	2109802	73.0	73.0	55.5	15.0	40.5	98.0	30.1
M/L 53.5	2109803	73.0	72.0	57.0	17.0	40.5	98.6	31.0
L 55.5	2109804	73.0	72.0	58.5	18.5	40.5	100.1	31.7
XL 58.5	2109805	73.0	72.0	60.5	20.0	40.5	102.1	32.4

*Seat angle is actual

**Toptube is measured from the center of the headtube horizontally back to the top of the effective extension of the seattube

***Standover height is based on the largest size tire that will fit the bike, not necessarily the included size tire

