

# RINCON W



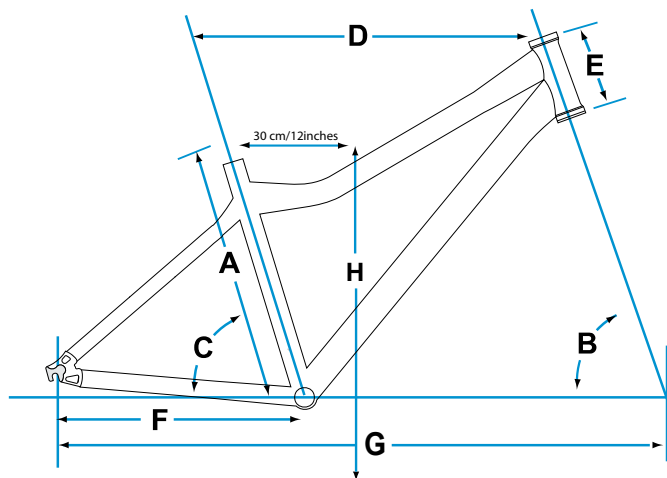
## SPECIFICATIONS

FRAME	
SIZES	XXS, XS, S, M
COLOURS	Silver/Red
FRAME	ALUXX-Grade aluminum
FORK	SR Suntour XCM V2, 100mm travel
SHOCK	N/A
COMPONENTS	
HANDLEBAR	Alloy, high rise, 31.8mm
STEM	Alloy
SEATPOST	Alloy, 30.9mm
SADDLE	Unity Speed Groove
PEDALS	Alloy platform
DRIVETRAIN	
SHIFTERS	Shimano EF50
FRONT DERAILLEUR	Shimano Alivio
REAR DERAILLEUR	Shimano Alivio, long cage
BRAKES	Tektro Alloy V-Brake
BRAKE LEVERS	Shimano EF50
CASSETTE	Shimano HG50, 11-30T, 8SPD
CHAIN	KMC Z7
CRANKSET	Truvativ ISOFLOW 3.0, 22/32/42T
BOTTOM BRACKET	Cartridge
WHEELS	
RIMS	Alex CR18, double wall, 36h
HUBS	Formula Alloy
SPOKES	Stainless steel, 14g
TIRES	[F] Kenda Blue Groove 26x2.1, [R] Kenda Nevegal 26x2.1
EXTRAS	

Specifications and availability subject to change without notice.

## FEATURES

- SR Suntour XCM V2, 100mm suspension fork w/ preload adjust
- Shimano EF50/Alivio drivetrain w/ Truvativ ISOFLOW 3.0 crankset
- Tektro alloy v-brakes
- Alex CR18 double wall rim/Formula disc hub, wheelset



## FRAME GEOMETRY

	A	B	C	D	E	F	G	H
Actual Frame Size	Part Number	Head Angle	Seat Angle*	Toptube**	Headtube	Chainstay	Wheelbase	Standover Height***
inches		degrees	degrees	inches	inches	inches	inches	inches
XXS 12.5	2103806	70.5	74.0	20.3	3.9	16.7	40.0	27.3
XS 14	2103807	70.5	73.0	21.1	4.6	16.7	40.0	27.9
S 16	2103808	70.5	73.0	21.6	4.6	16.7	40.5	28.4
M 18	2103809	70.0	73.5	22.4	4.9	16.7	40.9	29.5

\*Seat angle is actual

\*\*Toptube is measured from the center of the headtube horizontally back to the top of the effective extension of the seattube

\*\*\*Standover height is based on the largest size tire that will fit the bike, not necessarily the included size tire

