

# REIGN X0\*



\*AVAILABLE IN LIMITED QUANTITIES

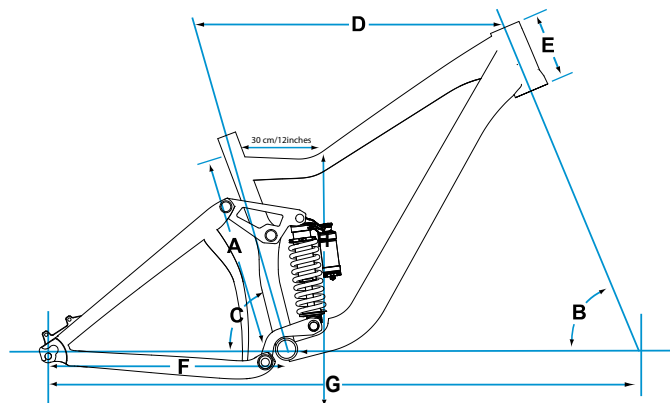
## SPECIFICATIONS

<b>FRAME</b>	SIZES	XS,S,M,L
	COLOURS	Ti Grey/Smoke Tint
	FRAME	ALUXX SL-grade aluminum, 6.7" Maestro suspension
	FORK	FOX 36 TALAS RC2, 160mm travel, 20mm QR
	SHOCK	FOX DHX Air 5.0
<b>COMPONENTS</b>	HANDLEBAR	Race Face Atlas AM, low rise, 31.8mm
	STEM	Race Face Atlas AM
	SEATPOST	Crank Brothers Joplin R, 30.9mm
	SADDLE	Fi'zi:k Zeak w/ K:i:um rails
	PEDALS	Alloy platform
	<b>DRIVETRAIN</b>	SHIFTERS
FRONT DERAILLEUR		Shimano SLX
REAR DERAILLEUR		SRAM X0, medium cage
BRAKES		Avid Elixir CR, [F] 185mm, [R] 160mm
BRAKE LEVERS		Avid Elixir CR
CASSETTE		SRAM PG980, 11-34T, 9SPD
CHAIN		Shimano HG73
CRANKSET		Race Face Atlas AM, 24/36/RG
BOTTOM BRACKET		Race Face X Type external
<b>WHEELS</b>		RIMS
	HUBS	[F] DT Swiss w/ 20mm front axle, [R] DT Swiss w/12mm axle
	SPOKES	DT Swiss, double butted, 15g
	TIRES	Kenda Nevegal, 26x2.35
	EXTRAS	Race Face Atlas FR Shiftguide, Matchmaker Clamp, RockShox Maxle light rear axle, L has 185mm rear rotor

Specifications and availability subject to change without notice.

## KEY UPGRADES (OVER REIGN X1)

- FOX 36 TALAS RC2, 120-160mm suspension fork w/ 20mm thru-axle, FOX DHX Air 5.0 rear shock
- SRAM X9/X0 drivetrain w/ Race Face Atlas AM crankset, Avid Elixir CR disc brakes
- Crank Brothers Joplin R seatpost
- DT Swiss EX1750 rim/DT Swiss 20mm hub, disc wheelset



## FRAME GEOMETRY

	A	B	C	D	E	F	G	H
Actual Frame Size	Part Number	Head Angle	Seat Angle*	Toptube**	Headtube	Chainstay	Wheelbase	Standover Height***
inches		degrees	degrees	inches	inches	inches	inches	inches
XS 15	2106300	67.0	72.5	22.0	4.6	17.1	43.7	27.1
S 16	2106301	67.0	72.5	22.4	4.6	17.1	44.1	28.4
M 18	2106302	67.0	72.5	23.2	5.0	17.1	44.9	29.5
L 20	2106303	67.0	72.0	24.1	5.9	17.1	45.7	30.6

\*Seat angle is actual

\*\*Toptube is measured from the center of the headtube horizontally back to the top of the effective extension of the seattube

\*\*\*Standover height is based on the largest size tire that will fit the bike, not necessarily the included size tire

