

# FAITH 0\*



\*AVAILABLE IN LIMITED QUANTITIES

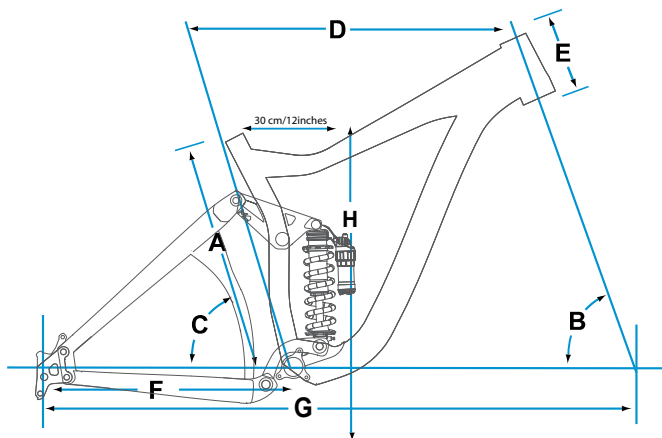
## SPECIFICATIONS

<b>FRAME</b>	SIZES	XS,S,M,L
	COLOURS	Scotchbrite Anodized/Blue
	FRAME	ALUXX SL-Grade aluminum, 7.0" Maestro Suspension
	FORK	RockShox Totem Solo Air, 180mm travel, 20mm QR
<b>COMPONENTS</b>	SHOCK	RockShox Vivid 5.1, 8.5"x2.5" coil
	HANDLEBAR	Race Face Atlas AM, low rise 31.8mm
	STEM	Race Face Diabolus D2
	SEATPOST	Race Face Respond DH, 30.9mm
	SADDLE	Giant DJ
	PEDALS	Alloy platform
<b>DRIVETRAIN</b>	SHIFTERS	SRAM X9
	FRONT DERAILLEUR	Not included
	REAR DERAILLEUR	SRAM X9, medium cage
	BRAKES	Avid Elixir CR, [F] 203mm, [R] 185mm
	BRAKE LEVERS	Avid Elixir CR
	CASSETTE	SRAM PG970, 11-32T, 9SPD
	CHAIN	Shimano HG73
	CRANKSET	Race Face Atlas FR, 36T, 170mm
BOTTOM BRACKET	Race Face X Type, external	
<b>WHEELS</b>	RIMS	Sun Ringle MTX31, 32h
	HUBS	[F] Giant Tracker w/ 20mm front axle, [R] Sun Ringle Jumping Flea, 12mm axle
	SPOKES	DT Competitor, 14/15g
	TIRES	Kenda Nevegal, 26x2.5 Stick-E
	EXTRAS	MRP Mini G2 guide, RC442/ 445 swappable dropouts

Specifications and availability subject to change without notice.

## KEY UPGRADES (OVER FAITH 1)

- RockShox Totem Solo Air, 180mm suspension fork, RockShox Vivid 5.1 rear shock
- SRAM X9 drivetrain w/ Race Face Atlas FR crankset, Avid Elixir CR disc brakes
- Race Face Atlas AM handlebar/Diabolus D2 stem/Respond DH seatpost
- Sun Ringle MTX31 rim/Giant Tracker 20mm/Sun Ringle Jumping Flea, disc wheelset



## FRAME GEOMETRY

	A	B	C	D	E	F	G	H
Actual Frame Size	Part Number	Head Angle	Seat Angle*	Toptube**	Headtube	Chainstay	Wheelbase	Standover Height***
inches		degrees	degrees	inches	inches	inches	inches	inches
XS 15	2106500	66.8 / 66.3	65.2 / 64.7*	20.1	4.5	17.4 / 17.5*	43.3 / 43.4*	28.7
S 16	2106501	66.8 / 66.3	62.9 / 62.4*	22.1	4.5	17.4 / 17.5*	43.9 / 44.0*	29.9
M 16.5	2106502	66.8 / 66.3	62.2 / 61.7*	23.2	4.5	17.4 / 17.5*	44.8 / 44.9*	30.0
L 17	2106503	66.8 / 66.3	63.3 / 62.8*	24.4	4.5	17.4 / 17.5*	46.2 / 46.4*	31.1

\*Seat angle is actual

\*\*Toptube is measured from the center of the headtube horizontally back to the top of the effective extension of the seattube

\*\*\*Standover height is based on the largest size tire that will fit the bike, not necessarily the included size tire

\*Seat Angle, Chainstay and Wheelbase are adjustable with swappable dropouts

