

DEFY ALLIANCE Ø



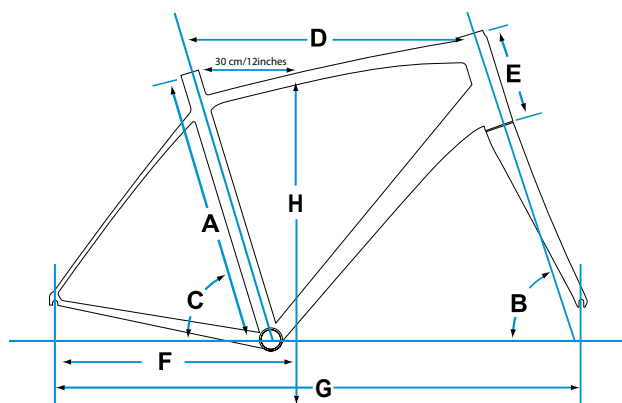
SPECIFICATIONS

FRAME	SIZES	XS,S,M,M/L,L,XL
	COLOURS	Red/White/Composite
	FRAME	Alliance composite/aluminum technology
	FORK	Advanced-Grade composite, alloy OverDrive steer
	SHOCK	N/A
COMPONENTS	HANDLEBAR	Giant Connect SL, 31.8mm
	STEM	Giant Connect SL
	SEATPOST	Giant Connect SL, composite, 30.9mm
	SADDLE	Fi'zi:k Alliante Delta w/ manganese rails
	PEDALS	Not Included
	DRIVETRAIN	SHIFTERS
FRONT DERAILEUR		Shimano 105
REAR DERAILEUR		Shimano 105
BRAKES		Shimano 105
BRAKE LEVERS		Shimano 105
CASSETTE		Shimano 105, 12-25T, 10SPD
CHAIN		Shimano 105
CRANKSET		Shimano R600, compact 34/50T
BOTTOM BRACKET		Shimano external
WHEELS		RIMS
	HUBS	Mavic Aksium Race
	SPOKES	Mavic Aksium Race
	TIRES	Michelin Lithion2, 700x25c
	EXTRAS	

Specifications and availability subject to change without notice.

KEY UPGRADES (OVER DEFY ALLIANCE 1)

- Shimano 105 5600-series component group w/R600 compact crankset
- Giant Connect SL handlebar, stem and composite seatpost
- Mavic Aksium Race wheelset w/ Michelin Lithion2 tires



FRAME GEOMETRY

	A	B	C	D	E	F	G	H
Actual Frame Size	Part Number	Head Angle	Seat Angle*	Toptube**	Headtube	Chainstay	Wheelbase	Standover Height***
centimeters		degrees	degrees	centimeters	centimeters	centimeters	centimeters	inches
XS 43.0	2109400	71.0	74.0	51.2	12.5	42.0	99.0	29.2
S 46.5	2109401	72.0	74.0	53.1	14.5	42.0	99.1	30.0
M 50.0	2109402	72.5	73.0	54.9	16.5	42.0	99.4	30.9
M/L 53.5	2109403	72.5	73.0	56.0	18.5	42.0	100.5	31.2
L 55.5	2109404	72.5	72.0	57.5	20.0	42.0	102.0	32.1
XL 58.5	2109405	72.5	72.5	60.0	22.5	42.0	103.9	32.8

*Seat angle is actual

**Toptube is measured from the center of the headtube horizontally back to the top of the effective extension of the seattube

***Standover height is based on the largest size tire that will fit the bike, not necessarily the included size tire

