

CYPHER 1

ALUXX
Aluminum Technology

MAESTRO
SUSPENSION



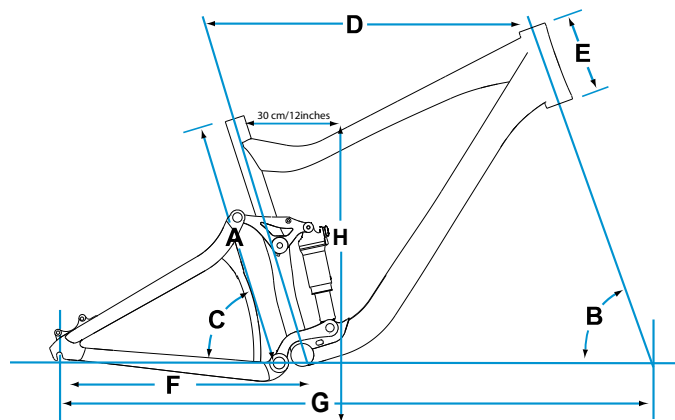
SPECIFICATIONS

FRAME	SIZES	XS,S,M
	COLOURS	White
	FRAME	ALUXX SL-Grade aluminum, 5" Maestro Suspension
	FORK	FOX 32 F120 FIT RL, 120mm travel, w/ 15mm QR
SHOCK		FOX Float RP2
COMPONENTS	HANDLEBAR	Giant Connect SL, low rise, 31.8mm
	STEM	Giant Connect SL
	SEATPOST	Giant Connect SL, 30.9mm
	SADDLE	Fi'zi:k Vitesse w/ K:iium rails
	PEDALS	Nylon "test-ride" pedals
DRIVETRAIN	SHIFTERS	Shimano Deore XT
	FRONT DERAILLEUR	Shimano SLX
	REAR DERAILLEUR	Shimano Deore XT, long cage
	BRAKES	Shimano Deore XT, [F] 180mm, [R] 160mm
	BRAKE LEVERS	Shimano Deore XT
	CASSETTE	SRAM PG980, 11-34T, 9SPD
	CHAIN	KMC HG73
	CRANKSET	Shimano Deore XT, 22/32/44T
BOTTOM BRACKET		Shimano Deore XT, external
WHEELS	RIMS	WTB Laser Disc Trail, 32h
	HUBS	[F] Giant Tracker w/ 15mm front axle, [R] WTB Laser Disc Lite
	SPOKES	DT Competition, 14/15g
	TIRES	Kenda Nevegal, 26x2.1
	EXTRAS	

Specifications and availability subject to change without notice.

KEY UPGRADES (OVER CYPHER 2)

- FOX 32 F120 FIT RL, 120mm suspension fork w/ 15QR thru-axle, FOX Float RP2 rear shock
- Shimano Deore XT component group
- Giant Connect SL handlebar, stem and seatpost
- WTB Laser Disc Trail rim/Giant Tracker/WTB Laser Disc hubs, wheelset



FRAME GEOMETRY

	A	B	C	D	E	F	G	H
Actual Frame Size	Part Number	Head Angle	Seat Angle*	Toptube**	Headtube	Chainstay	Wheelbase	Standover Height***
inches		degrees	degrees	inches	inches	inches	inches	inches
XS 14.5	2105106	69.5	74.0	21.1	4.9	17.1	41.8	30.9
S 16	2105107	69.5	73.5	21.7	5.3	17.1	42.2	31.1
M 18	2105108	69.5	73.5	22.2	5.9	17.1	42.8	31.8

*Seat angle is actual

**Toptube is measured from the center of the headtube horizontally back to the top of the effective extension of the seattube

***Standover height is based on the largest size tire that will fit the bike, not necessarily the included size tire

