

BOULDER



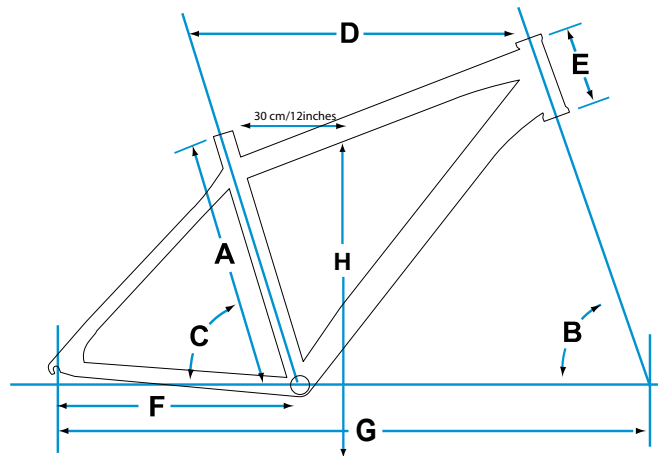
SPECIFICATIONS

FRAME	SIZES	XXS,XS,S,M,L,XL
	COLOURS	Silver/White/Black
	FRAME	Supersize steel
	FORK	Spinner Grind 1, 80mm travel
	SHOCK	N/A
COMPONENTS	HANDLEBAR	Steel high rise, 25.4mm
	STEM	Alloy
	SEATPOST	Alloy, 29.2mm
	SADDLE	Unity Sport MTB
DRIVETRAIN	PEDALS	Resin platform
	SHIFTERS	Shimano EF50
	FRONT DERAILLEUR	Shimano C102
	REAR DERAILLEUR	Shimano Altus
	BRAKES	Alloy, direct-pull
	BRAKE LEVERS	Shimano EF50
	CASSETTE	Shimano 14-34T, 7SPD
	CHAIN	KMC Z51
	CRANKSET	Shimano M191, 28/38/48T
	BOTTOM BRACKET	Cartridge
WHEELS	RIMS	Alloy, 36h
	HUBS	Formula alloy
	SPOKES	Stainless steel, 14g
	TIRES	MTB Knobby w/ Center Ridge, 26x2.1
	EXTRAS	

Specifications and availability subject to change without notice.

FEATURES

- Spinner Grind 1, 80mm suspension fork
- Shimano EF50/Altus drivetrain w/ Tektro alloy direct-pull V-brakes



FRAME GEOMETRY

	A	B	C	D	E	F	G	H
Actual Frame Size	Part Number	Head Angle	Seat Angle*	Toptube**	Headtube	Chainstay	Wheelbase	Standover Height***
inches		degrees	degrees	inches	inches	inches	inches	inches
XXS 12.5	2103600	70.5	75.0	20.5	4.6	16.7	39.7	24.2
XS 14	2103601	70.5	74.0	21.3	4.6	16.7	40.2	25.3
S 16	2103602	70.5	73.0	22.4	4.6	16.7	41.2	28.1
M 18	2103603	70.5	73.0	22.9	5.7	16.7	41.8	29.4
L 20	2103604	70.5	73.0	23.8	6.3	16.7	42.3	30.9
XL 22	2103605	70.5	73.0	24.3	7.5	16.7	43.1	32.9

*Seat angle is actual

**Toptube is measured from the center of the headtube horizontally back to the top of the effective extension of the seattube

***Standover height is based on the largest size tire that will fit the bike, not necessarily the included size tire

