

# ANTHEM X ADVANCED SL 0\*

Advanced  
COMPOSITE TECHNOLOGY

MAESTRO<sup>®</sup>  
SUSPENSION



\*AVAILABLE IN LIMITED QUANTITIES

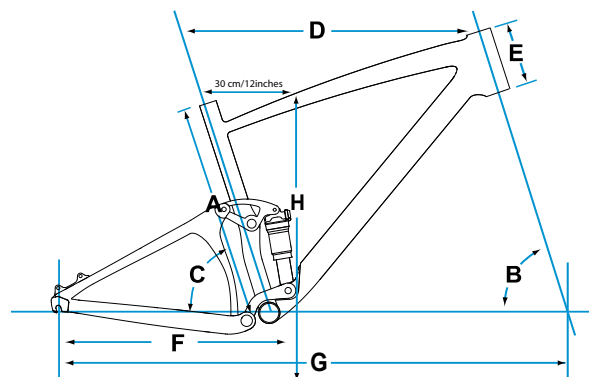
## SPECIFICATIONS

<b>FRAME</b>	SIZES	S,M,L,XL
	COLOURS	Composite/Blue/White
	FRAME	Advanced SL-Grade composite, 4" Maestro Suspension
	FORK	RockShox SID XX World Cup w/ Poploc remote, 100mm travel
	SHOCK	FOX Float RP23
<b>COMPONENTS</b>	HANDLEBAR	Giant Contact SL/R, composite, low rise 31.8mm
	STEM	Giant Contact SL/R, composite
	SEATPOST	Giant Contact SL/R, composite, 30.9mm
	SADDLE	Fi'zi:k Antares w/ braided composite rails
	PEDALS	Not Included
<b>DRIVETRAIN</b>	SHIFTERS	SRAM XX
	FRONT DERAILLEUR	SRAM XX, 2SPD
	REAR DERAILLEUR	SRAM XX, medium cage
	BRAKES	SRAM XX, 160mm
	BRAKE LEVERS	SRAM XX
	CASSETTE	SRAM XX, 11-32T, 10SPD
	CHAIN	SRAM PC1090
	CRANKSET	SRAM XX, 2x10, 28/42T
	BOTTOM BRACKET	SRAM XX / GXP
<b>WHEELS</b>	RIMS	Mavic Crossmax SLR Disc
	HUBS	Mavic Crossmax SLR
	SPOKES	Mavic Crossmax SLR
	TIRES	Maxxis Crossmark, 26x2.1
	EXTRAS	XS, S have 140mm R rotors, Matchmaker clamps

Specifications and availability subject to change without notice.

## FEATURES

- RockShox SID XX World Cup, 100mm suspension fork w/ Poploc lockout, FOX Float RP23 rear shock
- Complete SRAM XX, 10-speed component group
- Giant Contact SLR composite stem, handlebar and seatpost
- Mavic CrossMax SLR Disc wheelset



## FRAME GEOMETRY

	A	B	C	D	E	F	G	H
Actual Frame Size	Part Number	Head Angle	Seat Angle*	Toptube**	Headtube	Chainstay	Wheelbase	Standover Height***
inches		degrees	degrees	inches	inches	inches	inches	inches
S 16	2105601	71.0	73.5	22.6	4.6	16.7	41.3	30.4
M 18	2105602	71.0	73.0	23.4	5.1	16.7	41.9	31.0
L 20	2105603	71.0	73.0	24.2	5.7	16.7	42.7	32.1
XL 22	2105604	71.0	73.0	25.0	6.3	16.7	43.3	32.6

\*Seat angle is actual

\*\*Toptube is measured from the center of the headtube horizontally back to the top of the effective extension of the seattube

\*\*\*Standover height is based on the largest size tire that will fit the bike, not necessarily the included size tire

